

## ZERO 12 PRO

### Speaker Specifications

Power	Pe	<b>500 / 750</b>	RMS/Nom
DC resistance	Rdc	<b>3,7</b>	Ω
Nominal impedance	ZN	<b>4</b>	Ω
Resonance frequency	fs	<b>27</b>	HZ
Voice coil diameter		<b>2,5</b>	inch
Xmax	+ -	<b>12,5</b>	mm

Mechanical Q factor	Qms	<b>6,32</b>
Electrical Q factor	Qes	<b>0,40</b>
Total Q factor	Qts	<b>0,38</b>

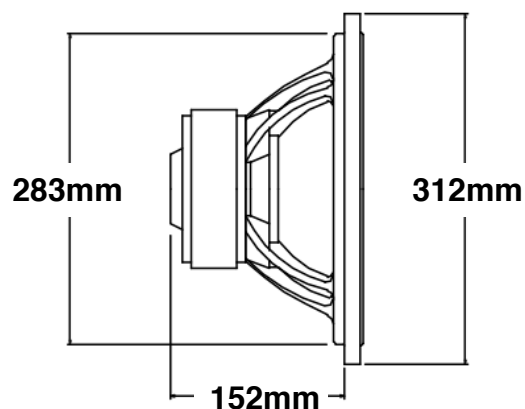
Moving mass	Mms	<b>135</b>	g
Effective piston area	Sd	<b>510</b>	cm <sup>2</sup>
Mechanical resistance	Rms	<b>3,95</b>	Kg/s
Compliance	Cms	<b>0,26</b>	mm/N
Force factor	BL	<b>13,95</b>	Tm
Equivalent air volume	Vas	<b>93,72</b>	dm <sup>3</sup>
SPL 2,83V/1m		<b>92</b>	dB

Cone: PFP	Spider: Nomex
Surround: Rubber	Coil former: Aluminium
Basket: Aluminium	Dust cap: Paper



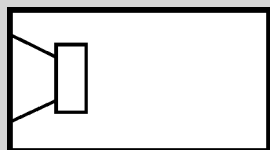
### Diameter

External diameter	<b>312 mm / 12,28 inch</b>
Installation diameter	<b>283 mm / 11,14 inch</b>
Installation depth	<b>152 mm / 5,98 inch</b>
Magnet diameter	<b>155 mm / 6,10 inch</b>



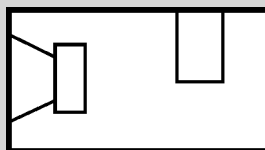
### Recommended Boxes (including Ports and Drivers)

#### Sealed Box



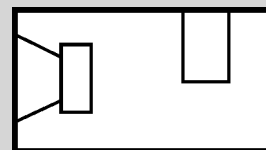
V: **30 l**

#### Vented Box



**For Fun**  
 V: **48 l**  
 Fb: 44 Hz / F3: 39 Hz  
 d: 100 mm / 4,92 inch  
 l: 200 / 7,87 mm / inch

#### Vented Box



**For SQ**  
 V: **48 l**  
 Fb: 39 Hz / F3: 36 Hz  
 d: 100 mm / 4,92 inch  
 l: 260 / 10,24 mm / inch