

RS-X 10

Speaker Specifications

Power	Pe	300 / 450	RMS/Nom
DC resistance	Rdc	3,74	Ω
Nominal impedance	ZN	4	Ω
Resonance frequency	fs	35,57	HZ
Voice coil diameter		2,5	inch
Xmax	+ -	10	mm

Mechanical Q factor	Qms	6,16
Electrical Q factor	Qes	0,49
Total Q factor	Qts	0,46

Moving mass	Mms	121,6	g
Effective piston area	Sd	346	cm ²
Mechanical resistance	Rms	4,79	Kg/s
Compliance	Cms	0,16	mm/N
Force factor	BL	13,82	Tm
Equivalent air volume	Vas	27,69	dm ³

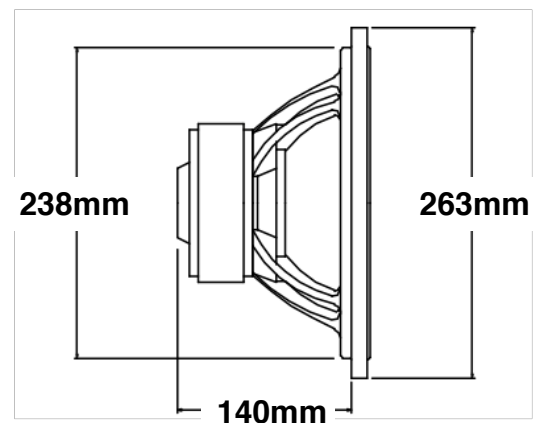
SPL 2,83V/1m **92,2** dB

Cone: Paper	Spider: Nomex
Surround: Foam	Coil former: Aluminum
Basket: Aluminum	Dust cap: PP



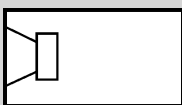
Diameter

External diameter	263 mm / 10,35 inch
Installation diameter	238 mm / 9,37 inch
Installation depth	140 mm / 5,51 inch
Magnet diameter	162 mm / 6,38 inch



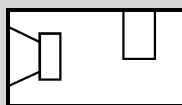
Recommended Boxes (including Ports and Drivers)

Sealed Box



V: **18** l
Ft: 51 Hz

Vented Box



V: **33** l
Ft: 47 Hz
d: 100 / 249 mm / inch
l: 240 / 9,45 mm / inch