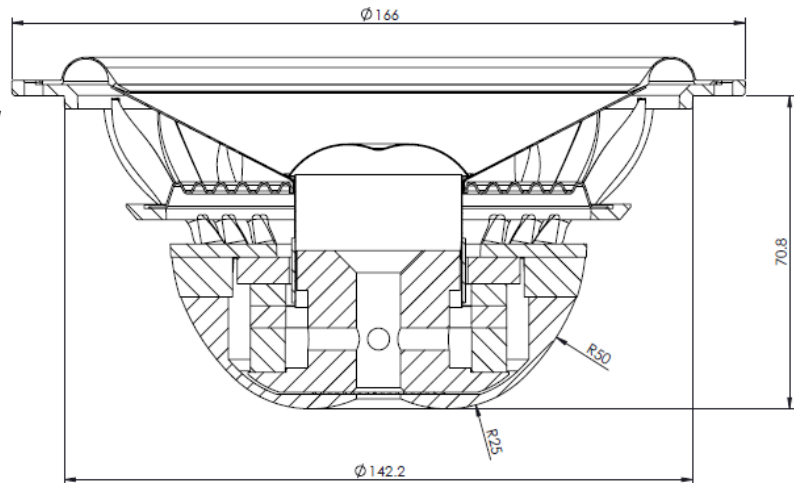


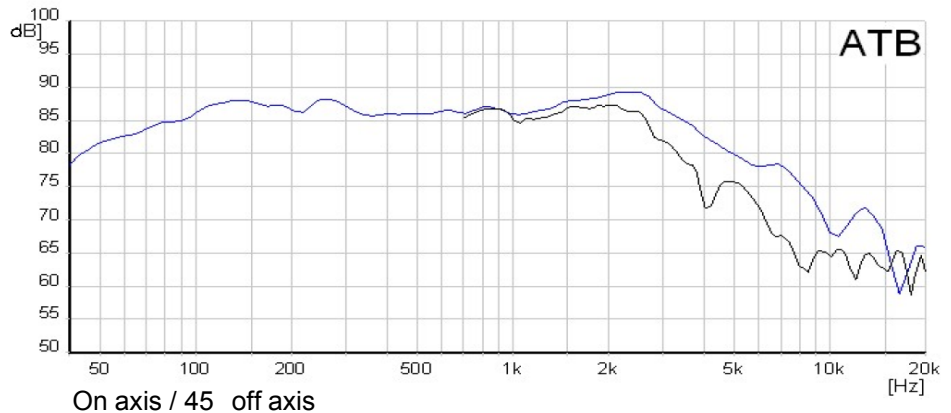
AEROSPACE 165 DC

Specifications:

Name		HG-165AeroDC-3
DC resistance	Rdc	2,7 Ω
Nominal impedance	ZN	3 Ω
Resonance frequency	fs	49 HZ
Voice coil diameter		37 mm
Mechanical Q factor	Qms	7,1
Electrical Q factor	Qes	0,63
Total Q factor	Qts	0,58
Moving mass Mms		14,5 g
Effective piston area	Sd	135 cm²
Mechanical resistance	Rms	0,63 Kg/s
Compliance	Cms	0,73mm/N
Force factor	BL	4,4Tm
Equivalent air volume	Vas	18,5 dm³
Efficiency	η	0,33 %
SPL 2,83V/1m		92,0 dB



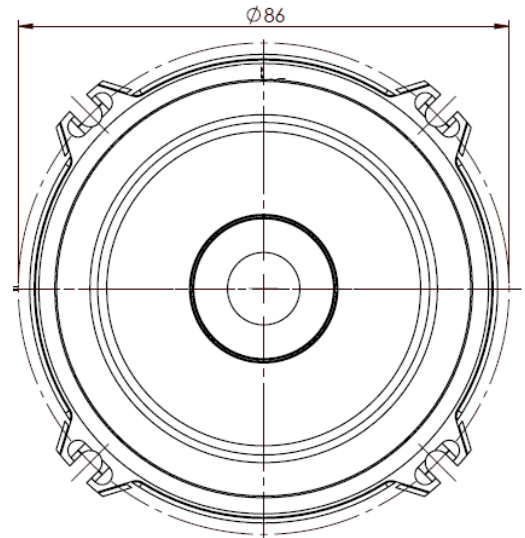
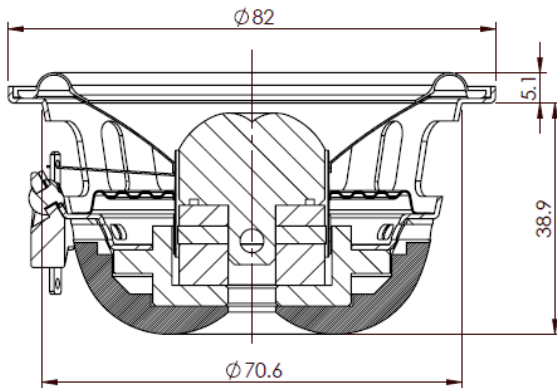
Cone: **GLADEN C7**
 Spider: **Connex**
 Surround: **SBR**
 Coil former: **Fibreglass**
 Basket: **Aluminum**
 Dust Cap: **Silk**



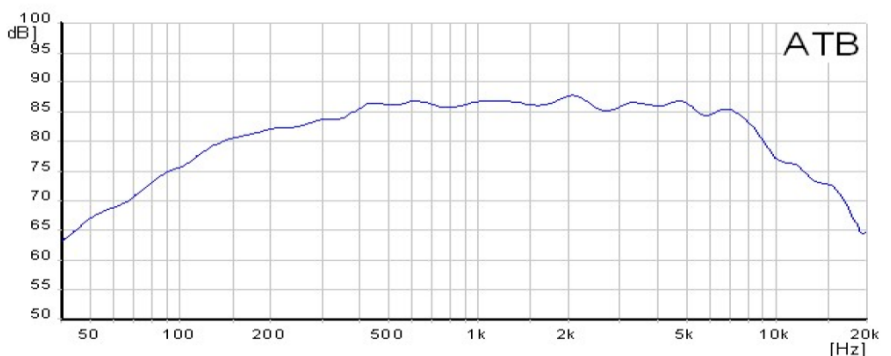
AEROSPACE 80 PP

Specifications:

Name		HG-80AeroPP-3
DC resistance	Rdc	2,5 Ω
Nominal impedance	ZN	3 Ω
Resonance frequency	fs	110 HZ
Voice coil diameter		25 mm
Mechanical Q factor	Qms	3,27
Electrical Q factor	Qes	0,34
Total Q factor	Qts	0,31
Moving mass	Md	3,3 g
Effective piston area	Sd	35 cm²
Mechanical resistance	Rms	0,7 Kg/s
Compliance	Cms	0,63 mm/N
Force factor	BL	4,1 Tm
Equivalent air volume	Vas	1,1 dm³
Efficiency	η	0,41 %
SPL 2,83V/1m		93,19 dB
High-pass / Hochpass		> 300 Hz 18 dB/Oct > 350 Hz 12 dB/Oct



Cone: GLADEN C5
Spider: Connex
Surround: SBR
Coil former: Aluminum
Basket: Steel
Phase Plug: Aluminum



AEROSPACE 20



Specifications:

Name		HG-20Aero
DC resistance	<i>R_{dc}</i>	3,4 Ω
Nominal impedance	<i>Z_N</i>	4 Ω
Resonance frequency	<i>f_s</i>	1000 HZ
Voice coil diameter		20 mm
SPL 2,83V/1m		92,5 dB
Dome/Kalotte		Fine cloth silk
Cut-off Frequency / Trennfrequenz		> 3000 Hz 12 dB/Oct > 2000 Hz 18 dB/Oct

